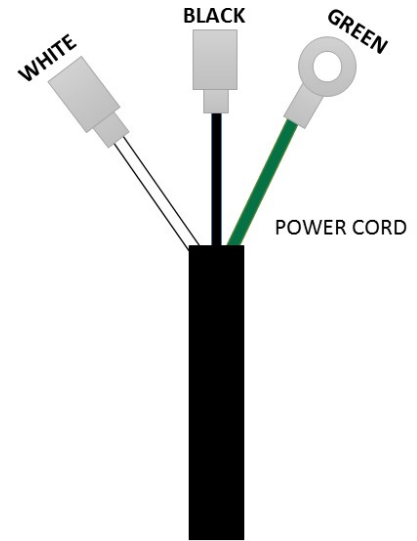
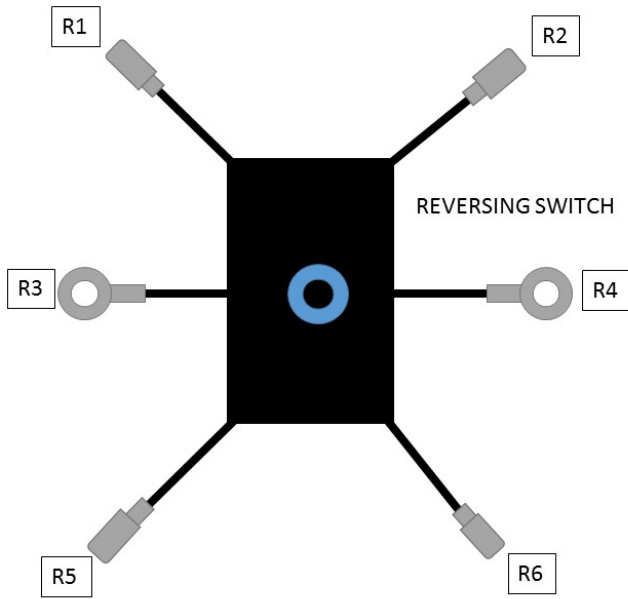
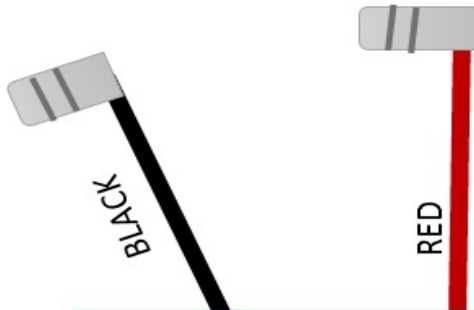


# A.O. SMITH JR. Motor Wiring



**REVERSING SWITCH TO MOTOR: R2 to Red (Tape)  
R1 to Black (Tape)  
R3 to L1 (Nut)  
R4 to L2 (Nut)**



**CORD TO REVERSING SWITCH: Black to R6 (Tape)  
White to R5 (Tape)**

**GREEN GROUND CORD WIRE TO GROUND BOLT ON MOTOR**

